

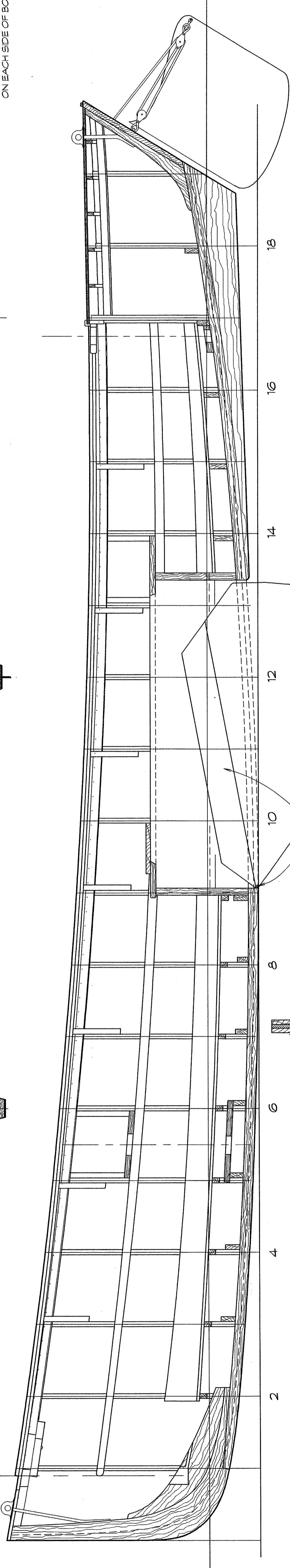
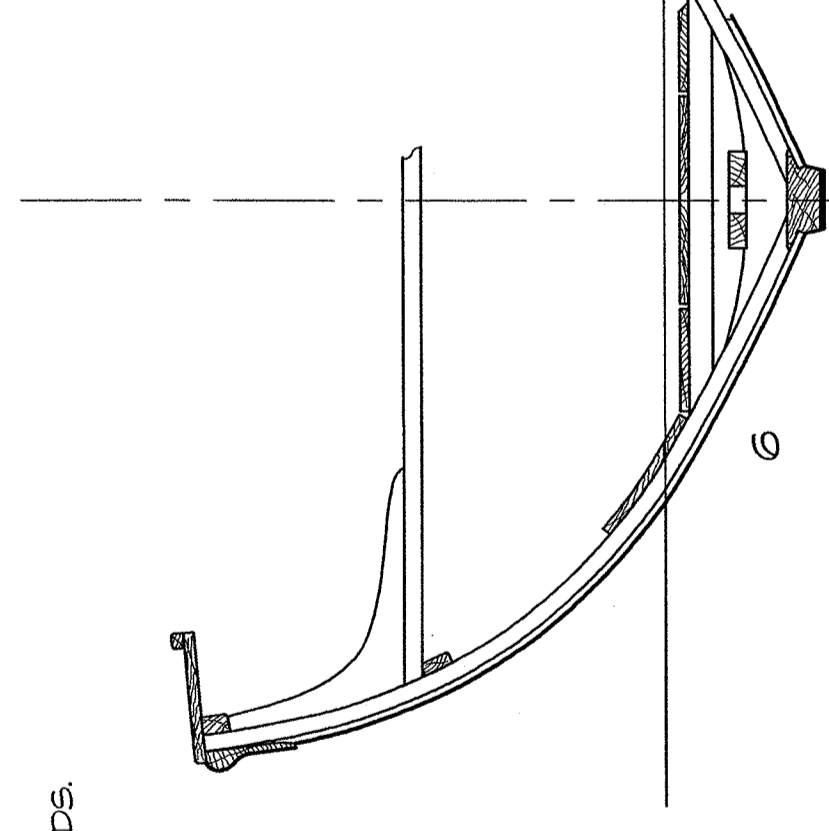
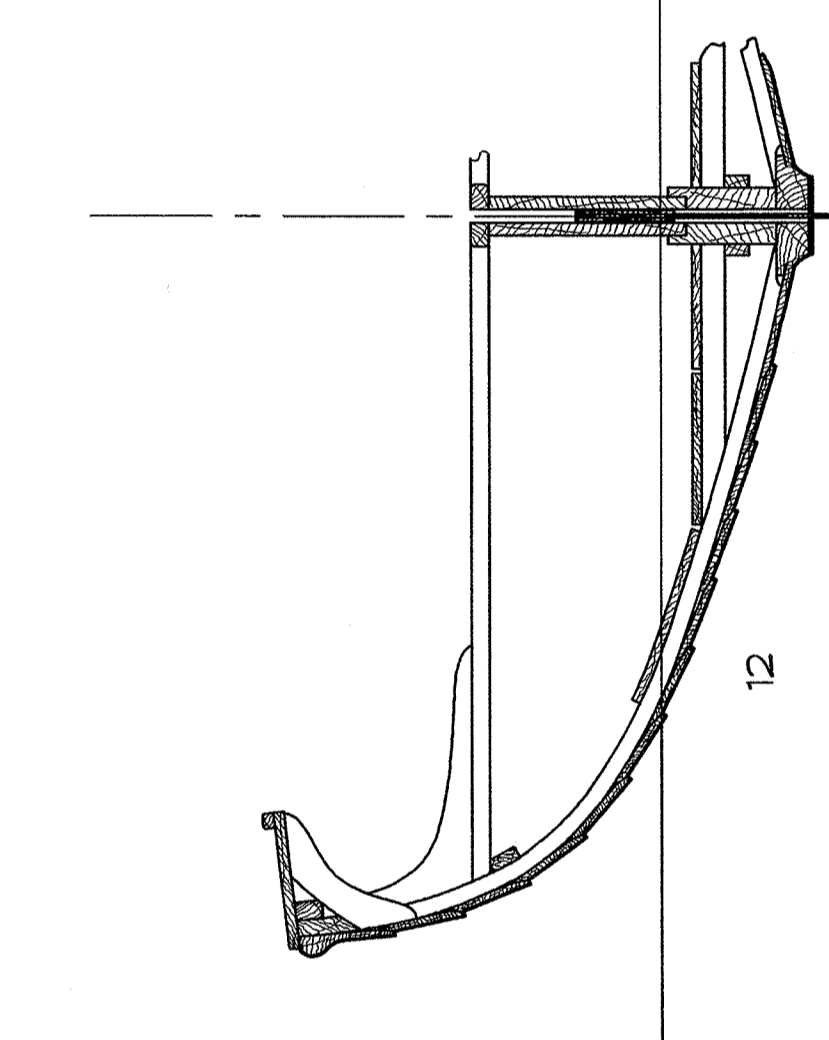
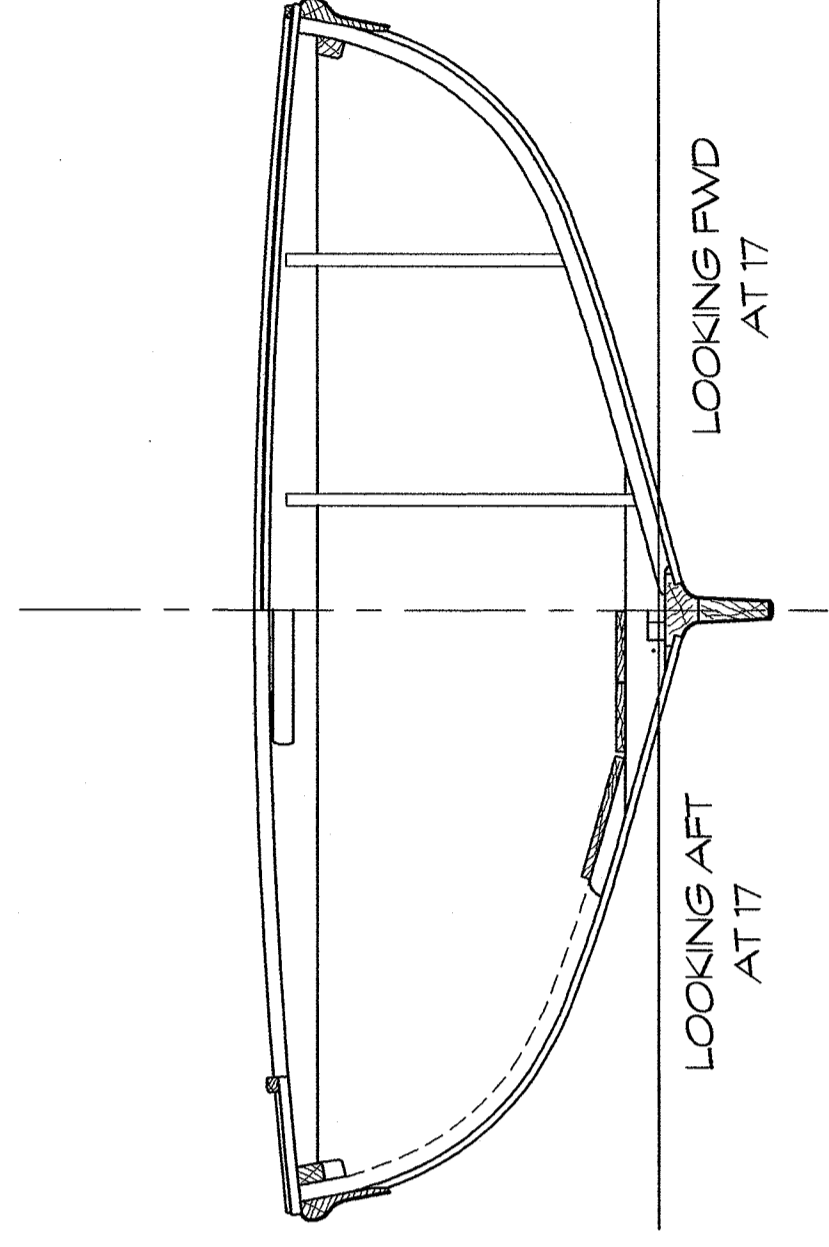
NOTES ON CHANGES TO ORIGINAL PLAN

SEVERAL CHANGES WERE ROUGHLY PENCILLED ONTO THE ORIGINAL PLAN PRESUMABLY BY N. G. H. EITHER DURING OR AFTER CONSTRUCTION. THESE CHANGES HAVE BEEN SHOWN ON THIS PLAN REPLACING WHAT WAS ORIGINALLY DRAWN. FOLLOWING IS A LIST OF THESE CHANGES.

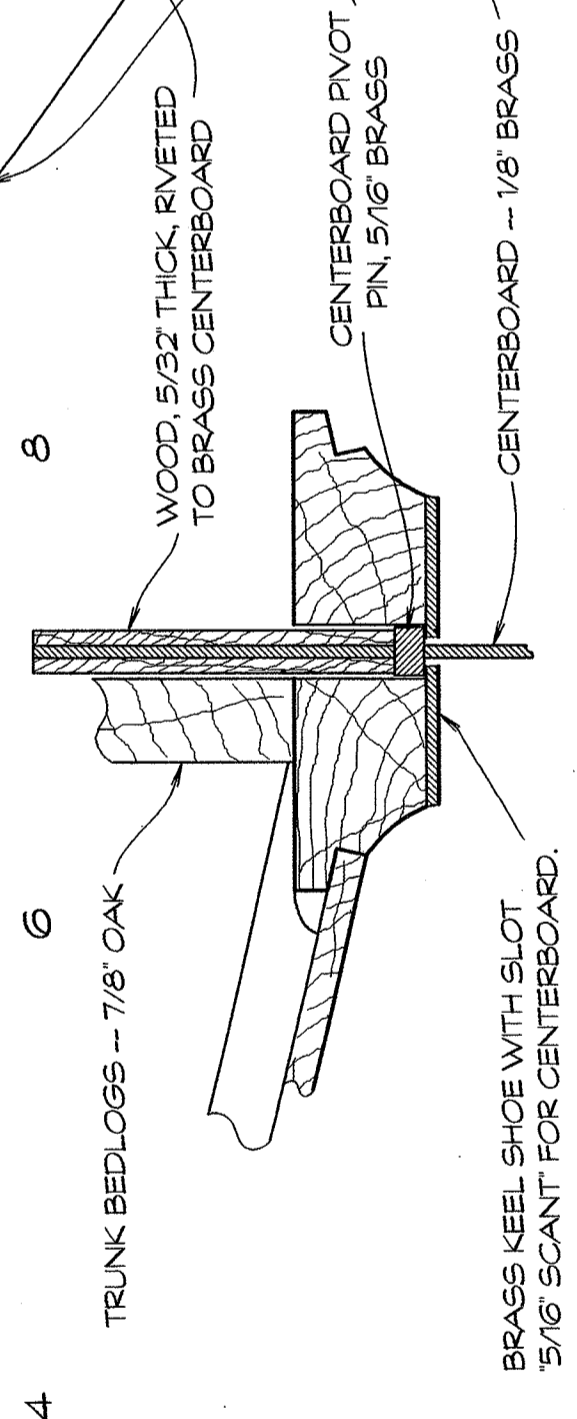
- SIDE DECKS & SUPPORTING KNEES ADDED.
- CENTERBOARD WIDTH REDUCED TO 27.
- MIZZEN MAST PARTNERS MOVED ONTO AFT BULKHEAD.
- IN ADDITION, THIS DRAWING INCLUDES SEVERAL DEPARTURES FROM THE ORIGINAL PLAN DRAWING, BASED ON THE BELIEF THAT THEY PROBABLY EXISTED IN THE ORIGINAL BOAT:
 - THE TOP OF THE KEEL WAS RAISED 1/8" TO ALLOW BETTER FASTENING OF THE GARBOARDS.
 - A FLOOR TIMBER WAS ADDED AT FRAME STATION 18.
 - THE TOP OF THE FLOORBOARD SKIRT WAS RAISED 1/2" AT FRAME STATION 17.
 - THE FLOORBOARD LAYOUT SHOWN ON THE ORIGINAL PLAN VIEW WAS RECONCILED WITH SECTIONAL SHAPES, PRIMARILY AT THE AFT END.
 - THE FORWARD END OF THE FLOORBOARDS WAS ENDED ON FRAME 2
- OTHER ADDITIONS WERE MADE BASED ON EXAMINATION OF THE PLANS FOR SUBSEQUENT HMC SMALL BOATS AND OTHER HISTORICAL REFERENCES.
- CENTERBOARD TRUNK SCANTLINGS WERE BASED ON #474, "DUDE".
- HOLDING RINGS WERE ADDED BASED ON PHOTOGRAPHS & THE PLANS FOR #474.

NOTES FROM ORIGINAL CONSTRUCTION DRAWING

- QUOTED VERBATIM WHERE POSSIBLE
- 16' 8" LONG, 5" WIDE, 22" DEEP.
 - FRAMES 10' APART, DEDUCT 1" FOR PLANKING & TIMBERS, TIMBERS 1 1/8" SQ. PLANKING CEDAR 5/16". STEM, WHITE OAK, 1 1/4" THICK.
 - 5/16" RABBIT, KEEL, 1 3/8" DEEP WITH 3/8" LIP.
 - STERN POST, 1 1/4" ABOVE RABBIT, 7/8" AT HEEL.
 - STERN, WHITE OAK, 3/4" THICK, 2 THWARTS, 3/4" X 9 1/4". DOUBLE KNEES HACKMATAK, 1 S/LIP THWART 5/8" X 7".
 - ALL THWARTS, BUTTERNUT
 - 12 STRAKES INCLUDING TOP STRAKE
 - TOP STRAKE 2 3/4" WIDE AT ENDS, 4" AT MIDDLE
 - QUARTER KNEES, HACKMATAK, 7/8" THICK
 - BREASTHOOK, 1" THICK
 - INWALE, WHITE OAK, 3/4" X 1 1/8"
 - THWART RISER, 1/2" X 1 1/4"
 - FLOORBOARDS, PINE 3/8"
 - DECK 5/16" CEDAR, COVERD HEAVY SHEETING.
 - DECK BEAMS 7/16" X 7/8" OAK
 - SLOT IN CENTERBOARD BOX 9/16", 4" X 5/32" WOOD ON EACH SIDE OF BOARD



THE INFORMATION IN THIS DRAWING WAS PRIMARILY DERIVED FROM THE ORIGINAL HERRESHOFF MFG. CO. CONSTRUCTION DRAWING LABELED "ROW AND SAILING BOAT'S DRAWER 28, NO. 9", WHICH DRAWING IS PART OF THE HAFNER-HERRESHOFF COLLECTION RESIDING AT HART NAUTICAL COLLECTIONS, MIT MUSEUM, CAMBRIDGE, MASS. THIS DRAWING WAS MADE WITH THE PERMISSION AND ASSISTANCE OF THE MIT MUSEUM.



CENTERBOARD DETAILS-- HALF SIZE

